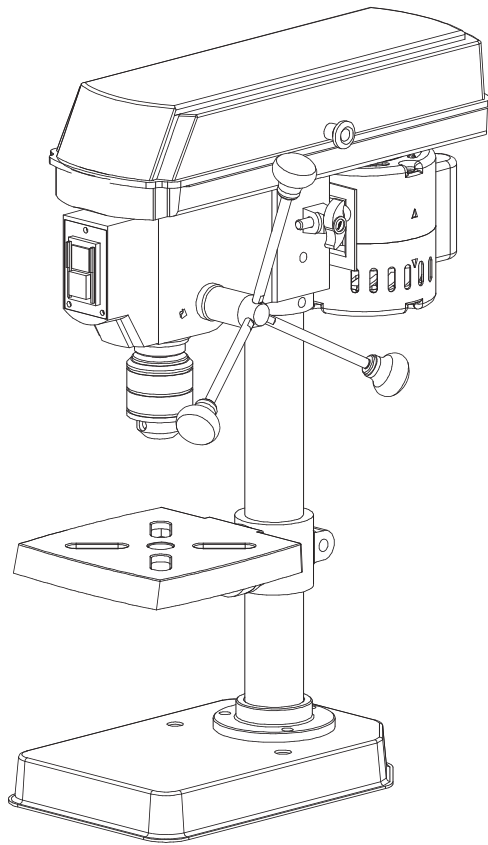




BENCH DRILL PRESS



Operation and Safety Instructions

PART No. K15300

General safety rules

Safety is a combination of common sense, staying alert, and knowing how your bench drill press works.

WARNING: TO AVOID MISTAKES THAT COULD CAUSE SERIOUS INJURY, DO NOT PLUG IN THE BENCH DRILL PRESS UNTIL THE FOLLOWING STEPS HAVE BEEN READ AND UNDERSTOOD.

1. **READ** and become familiar with this entire instruction manual. **LEARN** the tool's applications, limitations, and possible hazards.
2. **AVOID DANGEROUS CONDITIONS.** **DO NOT** use power tools in wet or damp areas or expose them to rain. Keep work area well-lit.
3. **DO NOT** use power tools in the presence of flammable liquids or gases.
4. **ALWAYS** keep your work area clean, uncluttered, and well-lit. **DO NOT** work on floor surfaces that are slippery with sawdust or wax.
5. **KEEP BYSTANDERS AT A SAFE DISTANCE FROM** the work area, especially when the tool is in operation. **NEVER** allow children near the tool.
6. **DO NOT FORCE THE TOOL** to do a job for which it was not designed.
7. **DRESS FOR SAFETY.** **DO NOT** wear loose clothing, gloves, neckties, or jewellery (rings, watches, etc.) when operating the tool. Inappropriate items can get caught and draw you into moving parts. **ALWAYS** wear non-slip footwear, and tie back long hair.
8. **WEAR A FACE MASK OR DUST MASK.** Drilling into materials produces dust.
9. **ALWAYS** remove the power cord plug from the power supply outlet when making adjustments, changing parts, cleaning, or working on the tool.
10. **AVOID ACCIDENTAL START-UPS.** Make sure that the power switch is in the **OFF** position before plugging in the power cord.
11. **REMOVE ADJUSTING TOOLS.** **ALWAYS MAKE SURE** all tools are removed from the bench drill press before turning it **ON**.
12. **NEVER LEAVE A RUNNING TOOL UNATTENDED.** Turn the power switch to **OFF**. **DO NOT** leave the tool unattended until it has come to a complete stop.
13. **NEVER STAND ON A TOOL.** Serious injury could result if the tool tips or is accidentally hit. **DO NOT** store anything above or near the tool.
14. **DO NOT OVERREACH.** Keep proper footing and balance at all times. Wear oil-resistant rubber-soled footwear. Keep the floor clear of oil, scrap, and other debris.
15. **MAINTAIN TOOLS PROPERLY.** **ALWAYS** keep tools clean and in good working order. Follow instructions for lubricating and changing accessories. See Maintenance section.

SAVE THESE SAFETY RULES

General safety rules ... continued

16. DO NOT operate the tool if you are under the influence of drugs, alcohol or medication that could affect your ability to use the tool properly.
17. CHECK FOR DAMAGED PARTS. Check for alignment of moving parts, jamming, breakage, improper mounting, or any other conditions that may affect the tool's operation. Any part that is damaged should be properly repaired or replaced before use.
18. MAKE THE WORKSHOP CHILDPROOF. Use padlocks, master switches, and ALWAYS remove starter keys.

WARNING: DUST GENERATED FROM CERTAIN MATERIALS CAN BE HAZARDOUS TO YOUR HEALTH. ALWAYS OPERATE THE DRILL PRESS IN A WELL-VENTILATED AREA. USE DUST COLLECTION SYSTEMS WHENEVER POSSIBLE.



ALWAYS WEAR EYE PROTECTION.

A bench drill press can throw foreign objects into the eyes which could cause permanent eye damage.

ALWAYS wear safety goggles (not glasses). Ordinary eyeglasses have only impact-resistant lenses...they are NOT safety glasses.

SAVE THESE SAFETY RULES

Specific safety rules for bench drill presses

WARNING: DO NOT OPERATE YOUR BENCH DRILL PRESS UNTIL IT IS COMPLETELY ASSEMBLED AND INSTALLED ACCORDING TO THE INSTRUCTIONS.

1. NEVER TURN THE BENCH DRILL PRESS ON until the table is clear of all foreign objects (tools, scraps, etc.).
2. ALWAYS KEEP hands and fingers away from the drill bit.
3. DO NOT drill materials that do not have a flat surface—unless a suitable support is used (clamp or vise).
4. NEVER start the drill press with the drill bit pressed against the workpiece.
5. MAKE SURE the table lock is tightened before starting the bench drill press.
6. NEVER layout, assemble, or set-up any work on the table while the drill is ON.
7. MAKE SURE drill bit is securely locked in the chuck.
8. MAKE SURE chuck key is removed from the chuck before turning power ON.
9. ADJUST the table or depth stop to avoid drilling into the table.
10. ALWAYS stop the drill before removing scrap pieces from the table.
11. USE CLAMPS or a vise to secure a workpiece to the table. This will prevent the workpiece from rotating with the drill bit.
12. DO NOT wear gloves when operating a drill press.
13. BEFORE LEAVING THE MACHINE, SHUT THE POWER OFF, remove the drill bit and clean the table.
14. SET THE DRILL PRESS to the speed that is appropriate for the material being drilled.
15. SHOULD any part of your bench drill press be missing, damaged, or any electrical component fail to perform properly, shut the power OFF and unplug the drill press. Replace missing, damaged, or failed parts before resuming operation.

SAVE THESE SAFETY RULES

Electrical information

GROUNDING INSTRUCTIONS

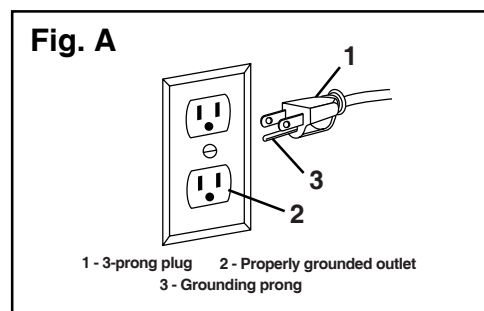
IN THE EVENT OF A MALFUNCTION OR BREAKDOWN, grounding provides the path of least resistance for electric current and reduces the risk of electric shock. This tool is equipped with an electric cord that has an equipment grounding conductor and a grounding plug. The plug **MUST** be plugged into a matching outlet that is properly installed and grounded in accordance with ALL local codes and ordinances.

DO NOT MODIFY THE PLUG. If the plug will not fit the power supply outlet, have the proper power supply outlet installed by a licenced electrician.

IMPROPER CONNECTION of the equipment grounding conductor can result in electric shock. The conductor with the green insulation (with or without yellow stripes) is the equipment grounding conductor. If repair or replacement of the electric cord or plug is necessary, **DO NOT** connect the equipment grounding conductor to a live terminal.

CHECK with a licenced electrician or service personnel if you do not completely understand the grounding instructions, or if you are not sure if the tool is properly grounded.

USE ONLY THREE-WIRE EXTENSION CORDS that have 3-prong plugs and 3-prong outlets that accept the tool's plug as shown in Fig. A. Repair or replace a damaged or worn cord immediately.



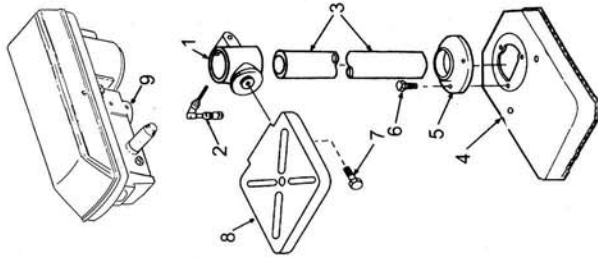
CAUTION: In all cases, make certain the power supply outlet in question is properly grounded. If you are not sure, have a licenced electrician check the power supply outlet.

WARNING: THIS BENCH DRILL PRESS IS FOR INDOOR USE ONLY. DO NOT EXPOSE TO RAIN OR USE IN DAMP LOCATIONS.

SAVE THESE SAFETY RULES

ASSEMBLY

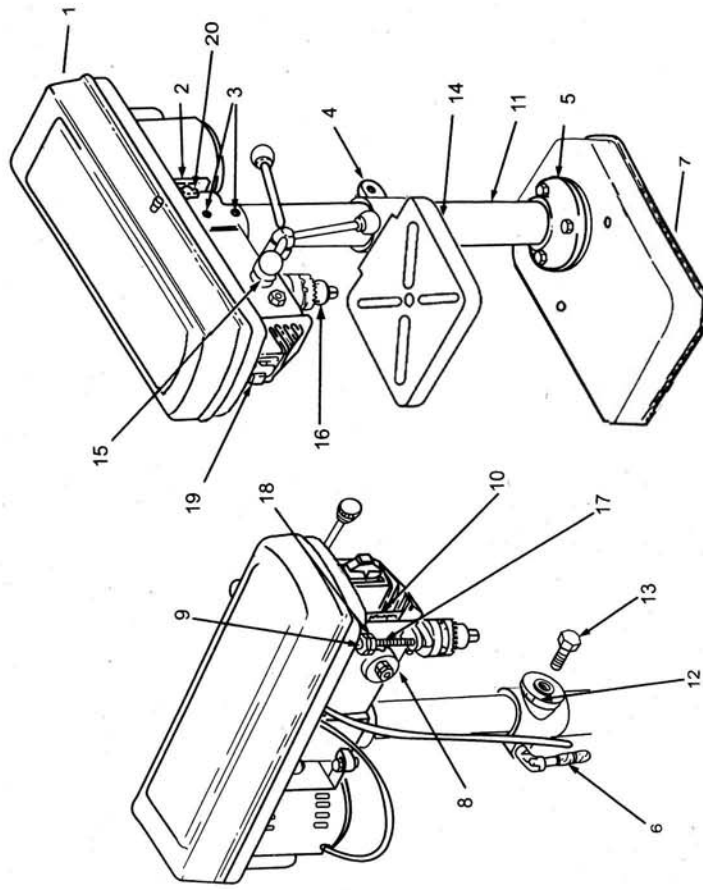
As the parts are packed separately, please assemble the drill press according to the following fig.

1. Table Support
 2. Support Lock Handle
 3. Column
 4. Base
 5. Support column
 6. Screw Hex HD M8×20
 7. Table Bevel Lock Screw
 8. Table
 9. Head Asm
- 

Assembly Procedure

1. Install(3) M8×20 bolts in each hole through Column Support and base and tighten with wrench.
2. Slide table/support into column.
3. Install support lock handle from left side into table support and tighten by hand.
4. Lift head above column and slide it onto the column as possible. Align head with table and base. Using a 4mm Hex "L" wrench, tighten the head lock set screws on the head.
5. Screw the feed handles into the threaded holes in the hub and tighten.
6. Clean out the tapered hole in the chuck. Clean the spindle nose with a clean cloth. Push the chuck up on the spindle nose as far as possible. Lightly tap the nose of the chuck with a piece of wood to ensure proper fitting of the chuck on the spindle.
7. Install M5×12 pan HD screw in hole located in guard and attach knob, turning until tighten.
8. Choose speed for drilling operation, and install belt to correct position for desired speed. Loose belt tension lock handle and turn the motor counterclockwise to apply tension to the belt. Tighten belt tension lock handle.

LOCATION AND FUNCTION OF CONTROLS



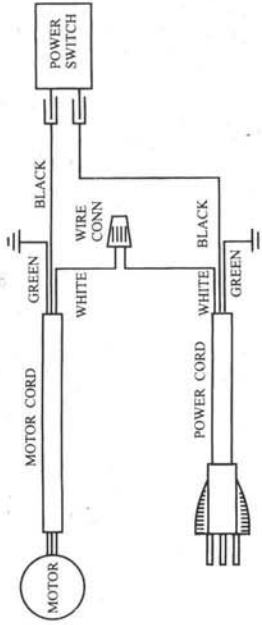
- | | | |
|-----------------------------|---------------------------|-------------------|
| 1. Pulley-Guard | 8. Spring- Cap | 15. Feed Handles |
| 2. Belt Tension Lock Handle | 9. Depth-Scale Indicator | 16. Chuck |
| 3. Head Lock Set Screws | 10. Depth-Scale | 17. Feed Stop Rod |
| 4. Support-Table | 11. Column | 18. Stop Nuts |
| 5. Column-Support | 12. Bevel Scale | 19. Switch |
| 6. Support-Lock | 13. Table Lock Set Screws | 20. Stop-Motor |
| 7. Base | 14. Table | Spring Motor Stop |

OPERATION AND MAINTENANCE

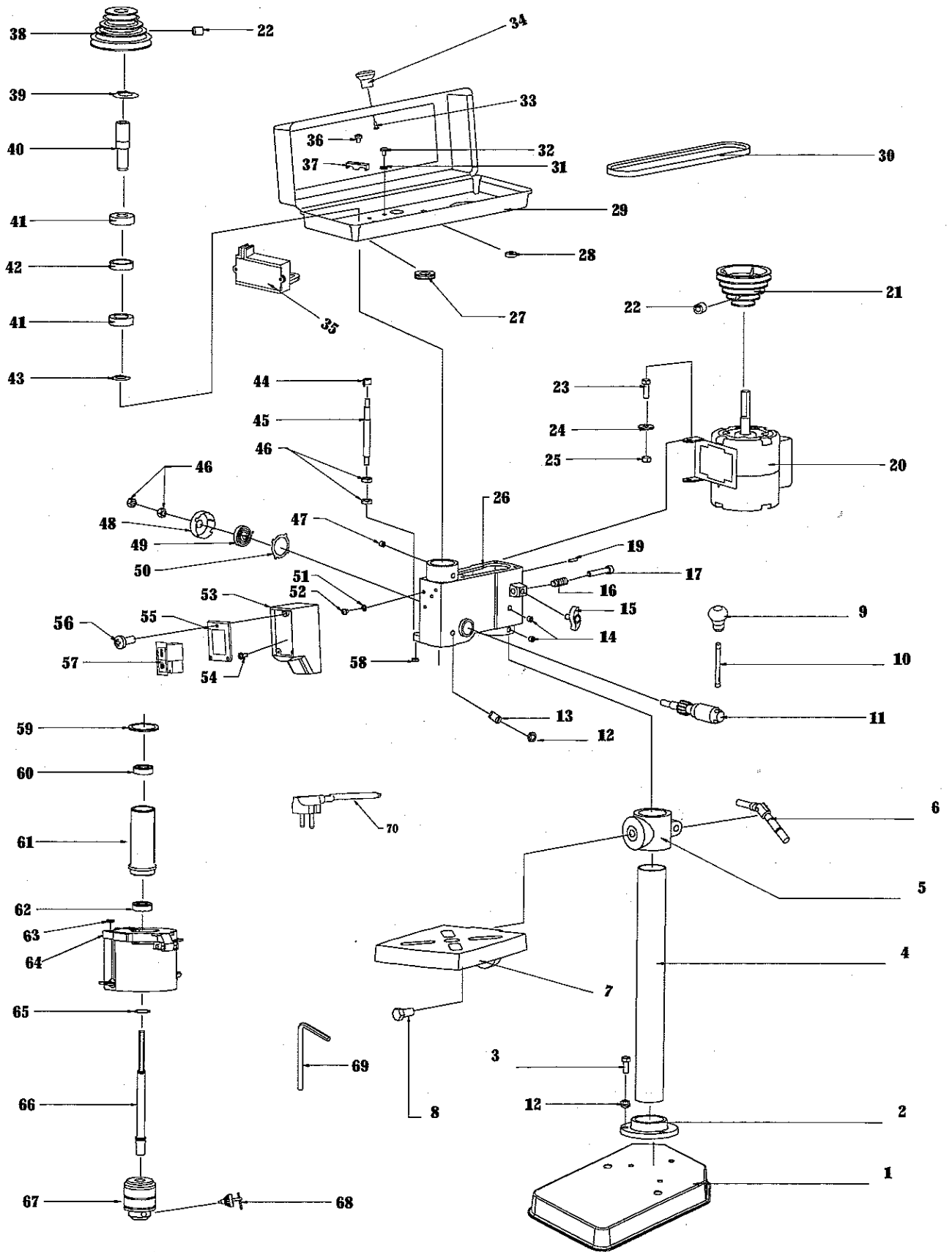
1. Before using this machine, the operator should carefully read over this operation manual to acquaint himself with the construction, controls and driving system of the machine.
2. All of the Ball Bearings are packed with grease at the factory. They require no further lubrication. Periodically lubricate the grooves in the spindle and the rack (teeth of the quill).
3. Insert drill into chuck far enough to obtain maximum gripping of the chuck jaws. Make sure that the drill is centered in the chuck. Tighten the drill sufficiently, so that it does not slip while drilling. Turn the chuck key clockwise to tighten, counter-clockwise to loosen the drill bit.
4. The drilling depth may be controlled by pointer and depth scale or by the two stop nuts, on the feed stop rod.
5. To position the table, loosen support lock handle, move the table to the desired position and retighten support lock.
To tilt table, loosen the bevel lock, tilt the table to desired position on the bevel scale and retighten bevel lock.
6. After drilling a hole, release the feed handle to have the spindle sleeve return to its original position.
7. In case of any trouble or abnormal noise arising during operation, stop the motor at once and find out the cause.
8. After operation, remove chips and dirt on the machine and cover all the unpainted surfaces with oil to prevent them from resting. turn-off the power supply for safety.

WIRING DIAGRAM

The power supply for this machine is AC single phase. The circuit control is shown as follows:



K15300 Explosive Drawing



K15300 PARTS LIST

NO.	PART NO.	DESCRIPTION	NO.	PART NO.	DESCRIPTION
1	K15300-1	BASE	37	K15300-37	CLAMP CORD
2	K15300-2	SUPPORT COLUMN	38	K15300-38	PULLEY SPINDLE
3	K15300-3	SCREW HEX HD	39	K15300-39	RETAINING RING
4	K15300-4	TUBE COLUMN	40	K15300-40	PULLEY INSERT
5	K15300-5	TABLE SUPPORT	41	K15300-41	BEARING BALL
6	K15300-6	CLAMP TABLE	42	K15300-42	SPACER
7	K15300-7	TABLE	43	K15300-43	RETAINING RING
8	K15300-8	SCREW HEX HD	44	K15300-44	POINTER
9	K15300-9	KNOB	45	K15300-45	RID-STOP
10	K15300-10	FEED HANDLE ROD	46	K15300-46	NUT-HEX
11	K15300-11	SHAFT PINION	47	K15300-47	SCREW-HEX.SOC.SET
12	K15300-12	HEX NUT	48	K15300-48	CAP SPRING
13	K15300-13	SOCKET SET SCREW	49	K15300-49	SPRING TENSION
14	K15300-14	HEX SOCKET SET SCREW	50	K15300-50	RETAINER SPRING
15	K15300-15	MOTOR ADJUST KNOB	51	K15300-51	STAR WASHER
16	K15300-16	MOTOR STOP SPRING	52	K15300-52	SCREW PAN HD.
17	K15300-17	MOTOR STOP	53	K15300-53	BOX-SWITCH W/DEPTH SCALE
19	K15300-19	ROLL PIN	54	K15300-54	SCREW PAN HD.
20	K15300-20	MOTOR	55	K15300-55	SWITCH PLATE
21	K15300-21	PULLEY MOTOR	56	K15300-56	SCREW PAN HD.
22	K15300-22	HEX SOCKET SET SCREW	57	K15300-57	SWITCH
23	K15300-23	HEX SCREW	58	K15300-58	NUT-HEX
24	K15300-24	WASHER	59	K15300-59	GASKET QUILL
25	K15300-25	LOCK NUT	60	K15300-60	BEARING BALL
26	K15300-26	HEAD	61	K15300-61	TUBE QUILL
27	K15300-27	BUSHING-RUBBER	62	K15300-62	BEARING BALL
28	K15300-28	WASHER-FOAM	63	K15300-63	WASHER
29	K15300-29	GUARD	64	K15300-64	EYE-SHIELD
30	K15300-30	V-BELT	65	K15300-65	RETAINING RING
31	K15300-31	WASHER	66	K15300-66	SHAFT SPINDLE
32	K15300-32	PAN HEAD SCREW	67	K15300-67	CHUCK
33	K15300-33	SCREW PAN	68	K15300-68	KEY-CHUCK
34	K15300-34	KNOB	69	K15300-69	WRENCH HEX"L"
35	K15300-35	MICRO SWITCH	70	K15300-70	CORD&PLUG
36	K15300-36	SCREW PAN HD.			